

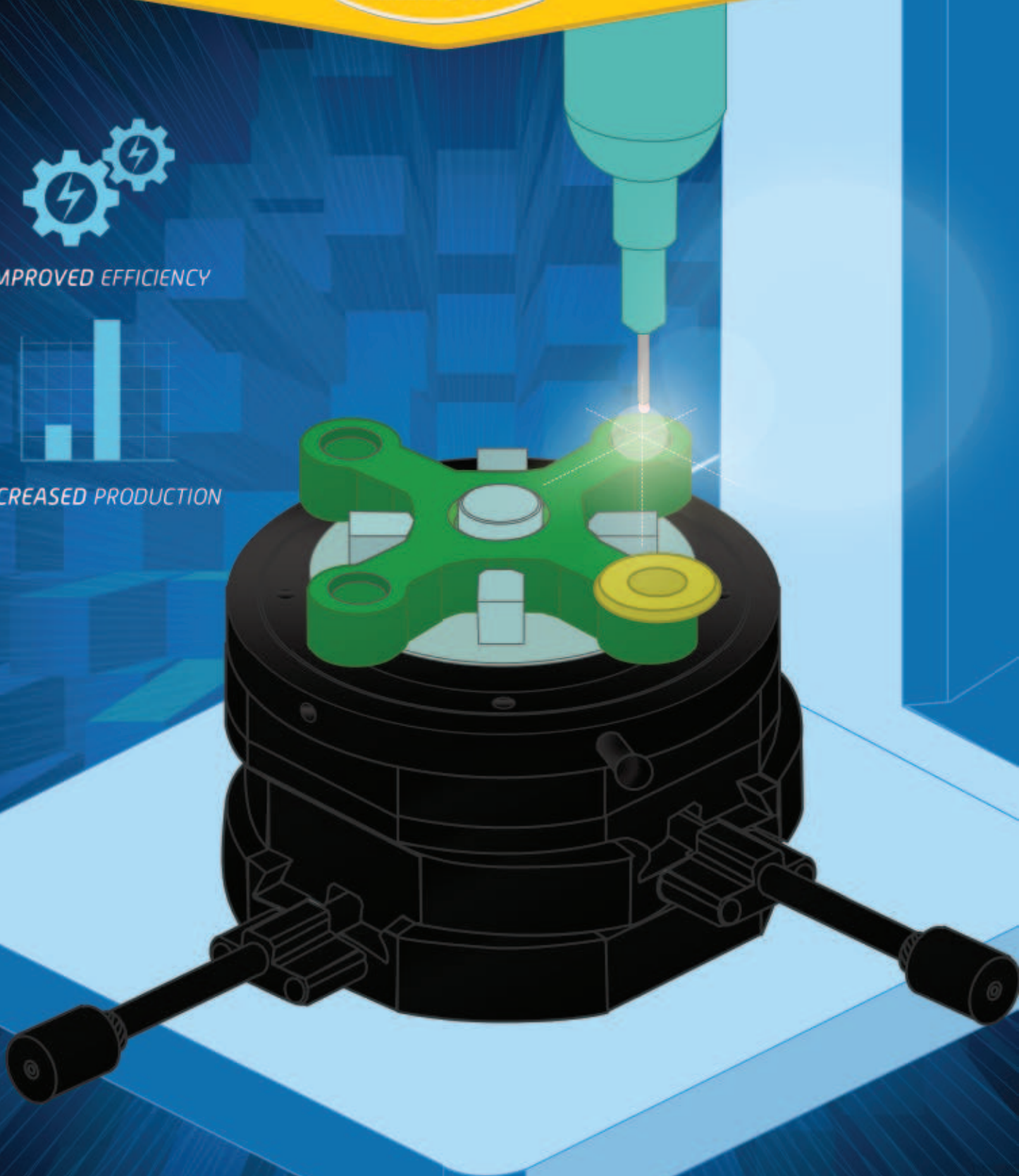
MIRUC



IMPROVED EFFICIENCY



INCREASED PRODUCTION



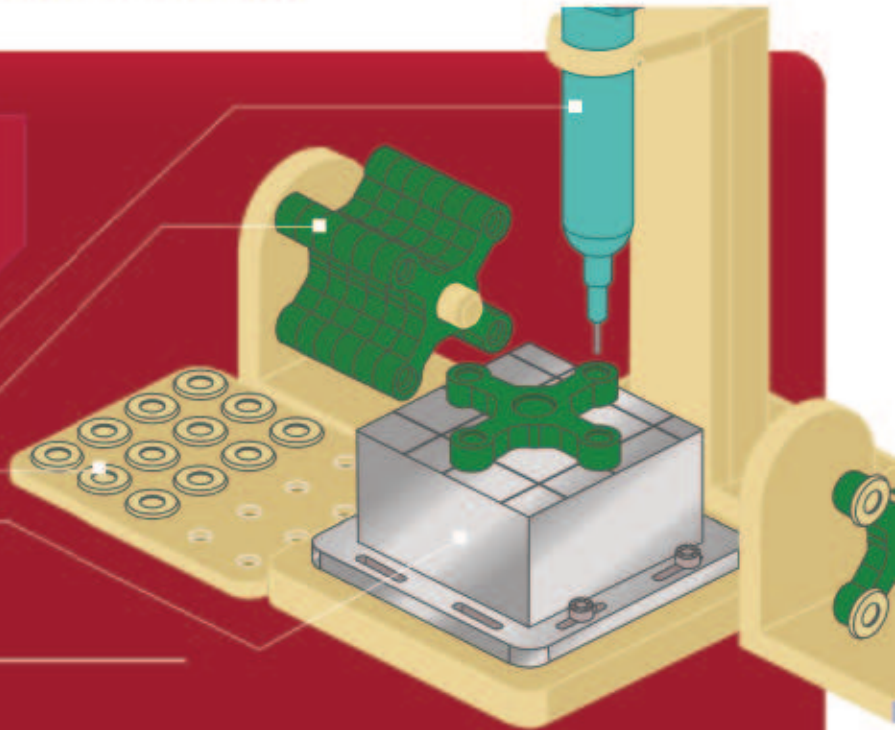
**IMPROVEMENT OF ADHESIVE APPLICATION JIG
USING AN XY/ROTARY STAGE**
(COMPOSITE STAGE)



PROCESS OF APPLYING ADHESIVES ARE INEFFICIENT, LIMITING PRODUCTION VOLUME.

This is an operation where the **workpiece Bs** are bonded to 4 locations on the cross-shaped **workpiece A** after applying adhesives.

- Adhesive Dispenser
- **workpiece A**
- **workpiece B**
- **workpiece Stand**



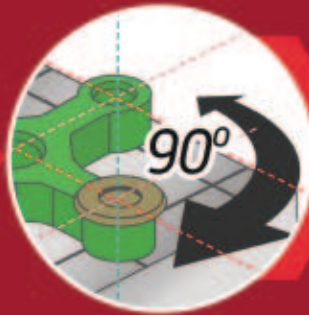
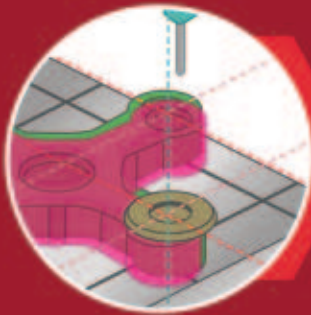
Adhesive operations STAGES

① Position **Workpiece A** on the marked line intersection of the worktable.

③ Once finished, the direction of **Workpiece A** is rotated to 90°.

② Apply adhesive then place **workpiece B**.

④ Repeat Process



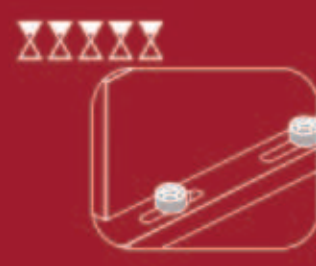
Additional Adhesive operations



The worktable position is decided beforehand to match the adhesive dispenser needle to the target surface.



If the size and shape of the adhesive dispenser and workpiece A changes, the positioning of the worktable, in accordance with the changes should be set up once again.

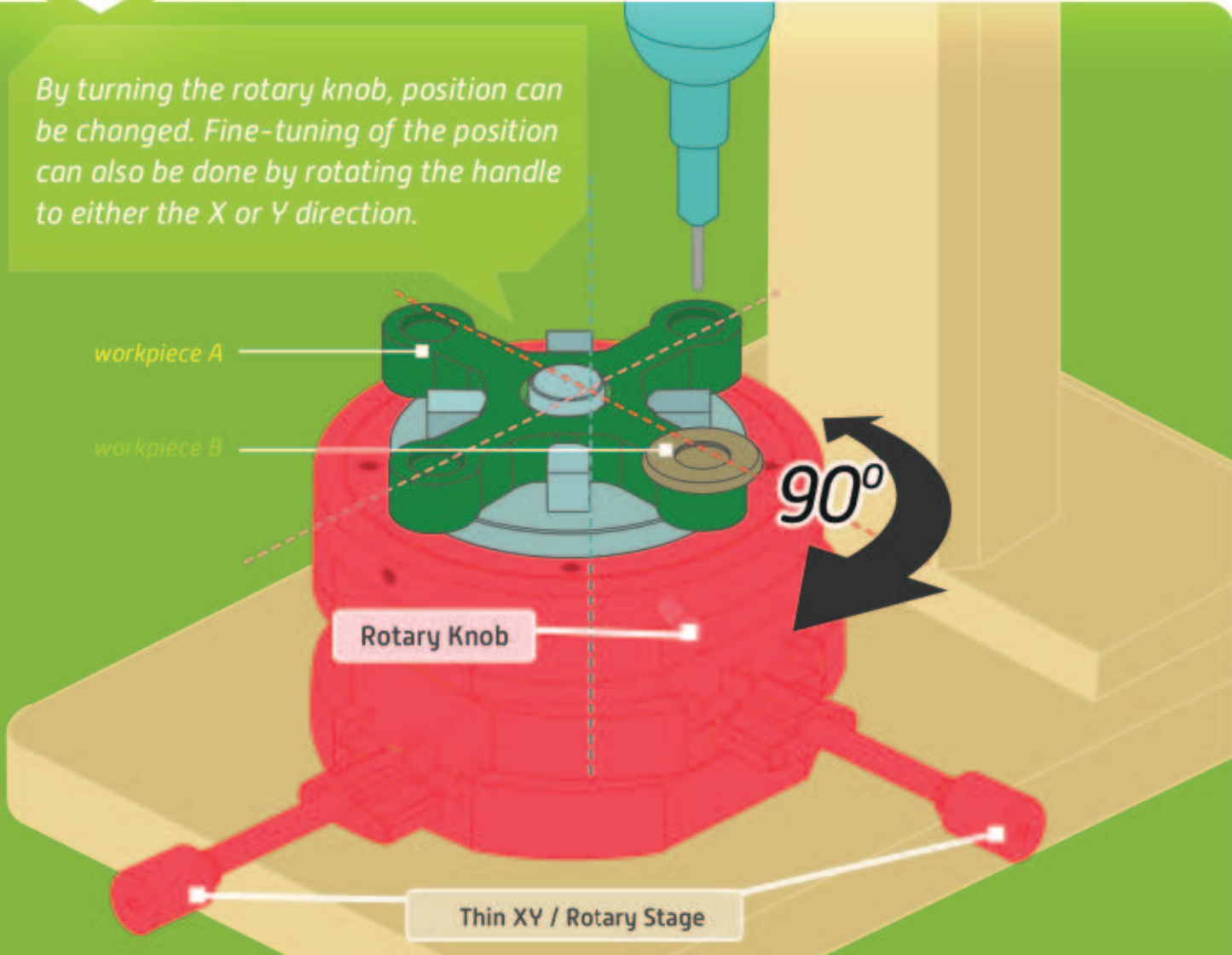


As the worktable is fixed after positioning with 4 bolts, it is not suitable for minimal changes in positions during adhesive application.



USING THE XY/ROTARY STAGE (COMPLEX STAGE) STREAMLINES BOTH THE ADHESIVE APPLICATION AND POSITIONING OF THE WORKPIECE STAND SIMULTANEOUSLY

By turning the rotary knob, position can be changed. Fine-tuning of the position can also be done by rotating the handle to either the X or Y direction.



Work efficiency is increased and the production volume has improved, since it is no longer necessary to change positioning before every application. By operating the XY axes to change positioning, usability is ensured even if the size and shape of the adhesive dispenser and workpiece changes.

IMPROVEMENT



Time cut!!

Effortless to change adhesive dispenser and workpiece on the stage surface



XY ROTARY STAGE (XYR-90A)



An integrated multi-functional stage that is close to 30% thinner (height 50mm) and is compact compared to the combination of traditional products.



COMPACT



AMOUNT OF MOVEMENT



.88 Kg

LIGHT WEIGHT



LOAD CAPACITY

34.3N
(3.5kgf)

Al¹³

STAGE BODY



SATIN BLACK ANODIZED
SURFACE TREATMENT

Using the complex stage of the XY/Rotary Stage, and depending on your ingenuity, you can manufacture a compact work jig which has various uses.

Example, if you install a stage plate on the rotary stage surface, and you combine it with a microscope, you can make an extremely compact microscope system.

